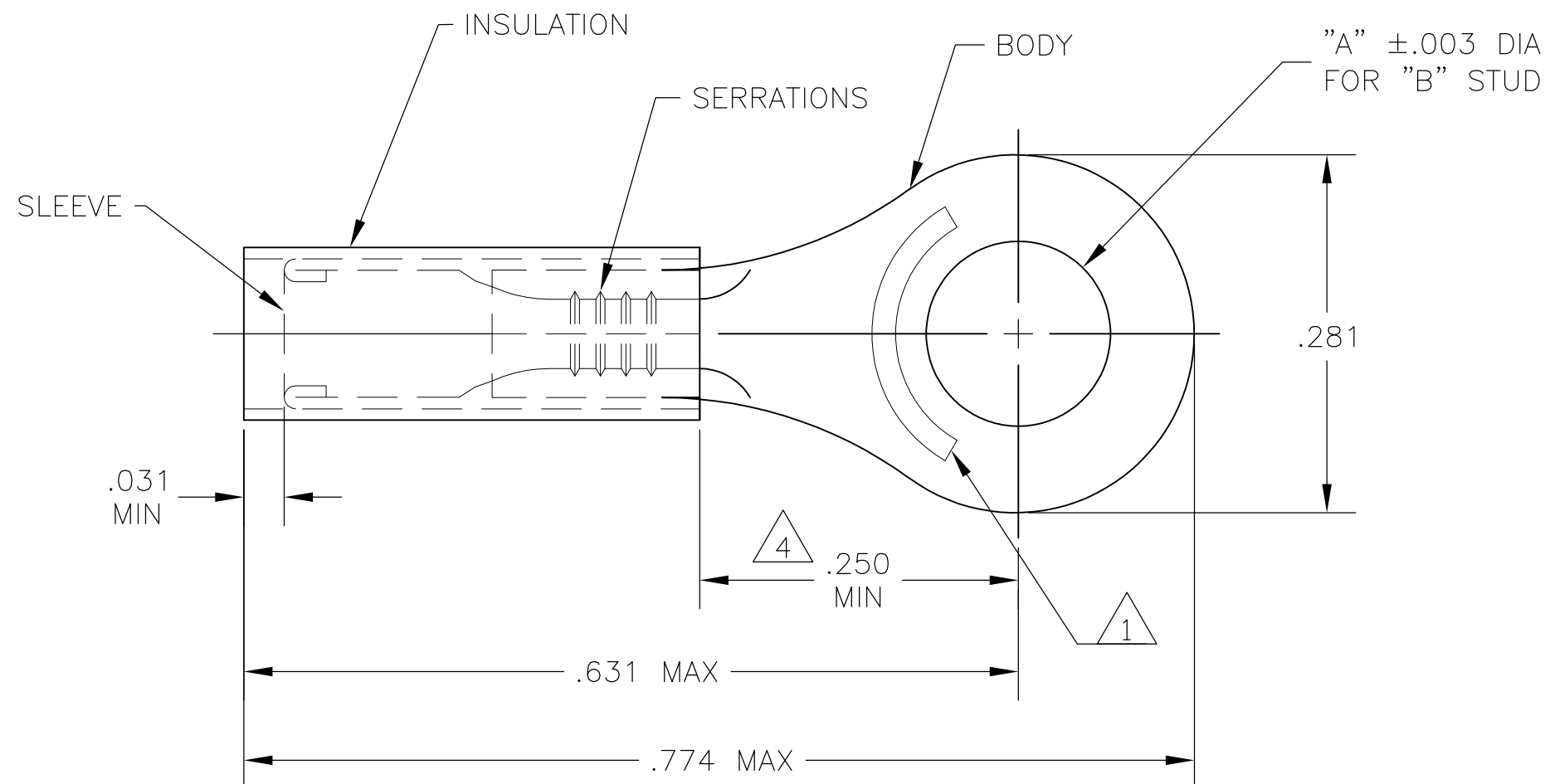


THIS DRAWING IS UNPUBLISHED. RELEASED FOR PUBLICATION
 © COPYRIGHT - BY TYCO ELECTRONICS CORPORATION. ALL RIGHTS RESERVED.

LOC	DIST	REVISIONS					
G	14	P	LTR	DESCRIPTION	DATE	DWN	APVD
			N3	REV ECR 07-028435	27NOV07	JR	TM

AMP
WIRE RANGE

22-20 AWG
STRANDED



- 1 STAMP AMP 22-20 APPROX AS SHOWN
- 2 FOR .035 TO .100 WIRE INSULATION DIA
- 3 TONGUE MATERIAL THK .023±.002
- 4 DIMENSION APPLIES FROM EDGE OF METAL WIRE BARREL TO CENTER OF STUD HOLE.
- 5 BODY: MATERIAL - COPPER ASTM B152
FINISH - GOLD PLATE ASTM B488
TYPE I, .00005 MIN EXT. THK. OVER
NICKEL PLATE (QQ-N-290) .00003 AVG
EXT. THK.
- 6 SLEEVE: MATERIAL - COPPER ASTM B152
FINISH - NICKEL PL. (QQ-N-290)
.00003 AVG EXT. THK.
- 7 INSULATION:
MATERIAL - TEFLON (ASTM D3295)
COLOR: GREEN

#4	.119	500	LOOSE PIECE	332433
#6	.145	500	LOOSE PIECE	1-332433-0
"B"	"A"	QTY	PACKAGE TYPE	PART NO.

THIS DRAWING IS A CONTROLLED DOCUMENT.		DWN JR RUTH 28JAN03	Tyco Electronics Corporation Harrisburg, Pa 17105-3608	
DIMENSIONS: INCHES		CHK T MICHIELUTTI 28JAN03	NAME TERMINAL - TEFLON, PIDG, STRATO-THERM, RING TONGUE,	
TOLERANCES UNLESS OTHERWISE SPECIFIED:		APVD T MICHIELUTTI 28JAN03	PRODUCT SPEC -	
0 PLC ± -		APPLICATION SPEC -		
1 PLC ± -		SIZE A3		
2 PLC ± .02		CAGE CODE 00779		
3 PLC ± .005		DRAWING NO G-332433		
4 PLC ± -		RESTRICTED TO -		
ANGLES ± 1°		SCALE 1:1		
MATERIAL		SHEET 1 OF 1		
FINISH		REV N3		
5 6 7		CUSTOMER DRAWING		
5 6 7		SCALE 1:1 SHEET 1 OF 1 REV N3		